

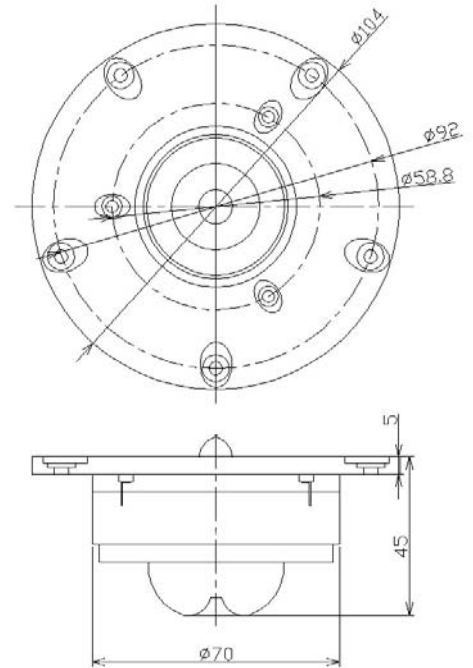
High-end Tweeter Speaker

TPA XT25-04, TPA XT25-08



Features

- Dual Ring Silk Dome
- Wave-guide Center Phase Plug
- Phase Plug Extended High Frequency Response
- 25mm Voice Coil With Cooling Holes
- High-energy Strontium Magnet
- Rear Acoustic Chamber For Low Fs and Flatter Wider Response
- Low Distortion

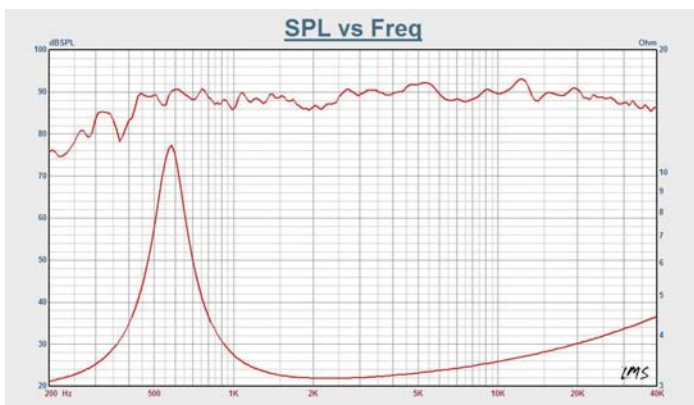


Specifications

Type	XT25-04	XT25-08
Nominal Impedance	4 Ω	8 Ω
DC Resistance	3 Ω	6.8 Ω
Frequency Range	1500 - 40000Hz	
Free Air Resonance Fs	550 Hz	
Characteristic Sensitivity (1W, 1m)	90 dB SPL	
Efective Cone Diameter	30 mm	
Voice Coil Inner Diameter	25.7 mm	
Voice Coil Former Material	Aluminium	

Frequency and Impedance Response

TPA XT25-04



TPA XT25-08

